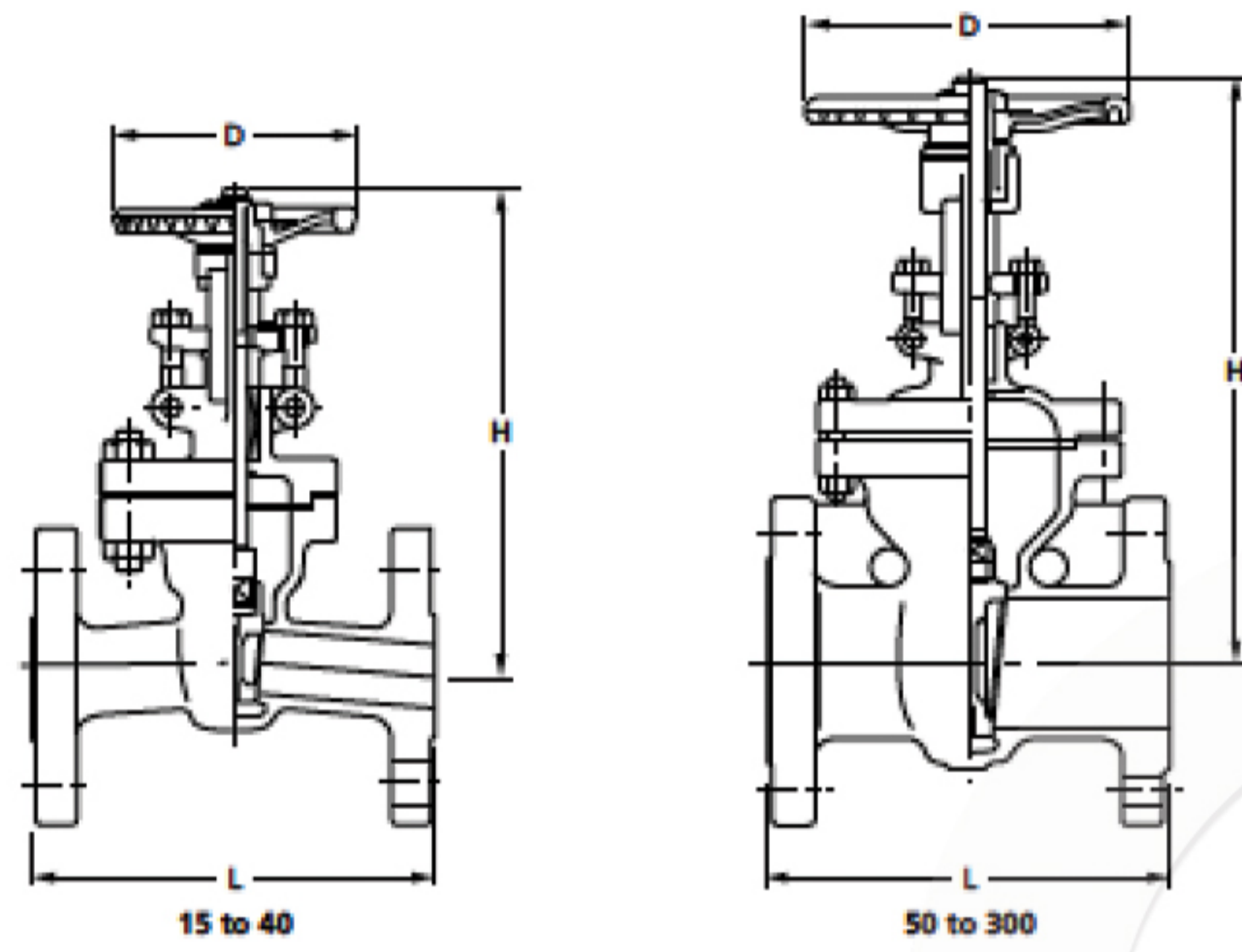


20K

GATE VALVE

Pressure-Temperature Rating: JIS B2220

20UMA



Materials

Parts	20UMA	20UMAM
Body	SCS13A	SCS14A
Bonnet	SCS13A	SCS14A
Stem	SUS304	SUS316
Disc	SCS13A	SCS14A
Gland	SUS304	SUS316
Gland flange	SCS13A	
Gland packing	Refer to Page 10	
Gasket	Refer to Page 10	
Yoke*	FCD-S	
Yoke sleeve	Ductile Ni-resist	
Handwheel	FCD400-15	
Gland bolt/nut	SUS304/304	
Gland bolt pin	SUS403	
Bonnet bolt/nut	SUS304/304	
Grease nipple**	SUS303	
Name plate	A1050P	

*Yoke is separated from bonnet for size 250 and larger.

**For size 250 and larger

Note: • Body seats and/or disc seats can be optionally hard-faced.
• Flexible wedge for all sizes

Items

Face to face dimensions	ASME B16.10 Class 300
End flange dimensions	JIS B2220 20K
Wall thickness	ASME B16.34 Class 300

Nominal Size		1/2	3/4	1	1 1/2	2	2 1/2	3	4	5	6	8	10	12	14	16	18	20	24
		15	20	25	40	50	65	80	100	125	150	200	250	300	350	400	450	500	600
L	in.	5.51	5.98	6.50	7.48	8.50	9.49	11.1	12.0	15.0	15.9	16.5	18.0	19.8	30.00	33.00	36.00	39.00	45.00
	mm	140	152	165	190	216	241	283	305	381	403	419	457	502	762	838	914	991	1143
H (open)	in.	8.2	8.7	9.4	11.6	14.0	15.9	18.6	22.0	24.6	29.6	38.1	46.3	54.3	62.60	71.26	77.95	86.22	101.57
	mm	209	220	239	294	355	404	472	560	626	753	968	1177	1378	1590	1810	1980	2190	2580
D	in.	3.9	3.9	3.9	5.5	7.1	7.1	8.9	9.8	11.8	13.8	15.8	17.7	19.7	23.62	23.62	26.77	29.92	35.83
	mm	100	100	100	140	180	180	225	250	300	350	400	450	500	600	600	680	760	910